



Commercial grade wireless security for residential applications

The Premier Elite 24-W contains a winning combination of Premier Elite control panel architecture and Ricochet mesh network technology.

Ideal for residential applications, the Premier Elite 24-W can accept up to 16 Ricochet-enabled wireless devices and is expandable up to 24 zones in total.

Sharing the same programming and peripheral devices as Texecom's acclaimed Premier Elite Series of control panels, the Premier Elite 24-W brings commercial grade security into the residential marketplace.

Outstanding features include:

- Expandable to 24 zones
- 2 Areas
- 25 User Codes
- Accepts up to 16 Ricochet Enabled Wireless Devices
- 500 Event Log Time & Date Stamped
- Plug-on Digimodems



Designed & made in
the UK by Texecom

Sales: 01706 220460
Visit: www.texecom.com



Premier Elite 24-W

Texecom

Scalability

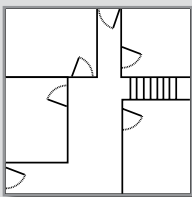
Max. number of Keypads: 4



Max. number of Zones: 24



Max. number of Areas: 2



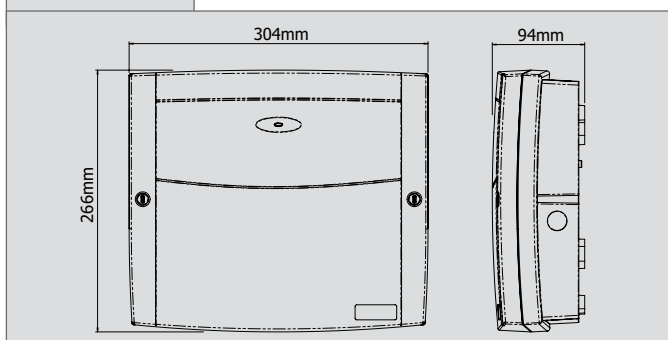
Max. number of User Codes: 25



Key Features

Maximum Number Of Zones	24
Maximum Number Of Wireless Zones	16
Number Of Wired Zones (Onboard)	4
8 Zone Expanders (Wired)	1
Event Log Time & Date Stamped	500
SMS Text Messaging	•
Plug On Digimodem	•
Single Pole Zone Wiring	•
End Of Line Wiring	•
Part Sets	3 PER AREA
Programmable Outputs (Control Panel)	9
Multi Format Communication Protocols	•
Remote & Local Upload/Download	•
Printer Output	•
Conventional Fire Detector Compatible	•
EN 50131-1	Grade 2
EN 50131-3	Grade 2

Dimensions



Standards

Alarm Systems:	EN 50131-3, EN 50131-5-3, EN 50131-1, PD 6662:2010, Grade 2 Class II
EMC:	EN 50130-4:1995: A1: A2 ETSI EN 301 489-03 V1.4.1
R&TTE:	ETSI EN 300-220 (V2.1.1)
Environmental:	EN 50130-5
Frequency Band:	868.0 - 868.6 MHz/433.05 - 434.79 MHz 866.0 - 866.6 MHz

Also available as part of the Premier Elite 24-W Complete Kit:



1 x Premier Elite 24-W &
1 x Premier LCDP Keypad



3 x Premier Elite
XT-W



1 x Premier Elite
Impaq Contact-W



1 x Premier Elite
SmartKey

See the full range of Ricochet products at www.texecom.com

Texecom products are protected by UK & International patents, trademarks & registered design rights. Premier Elite & Ricochet are trademarks of Texecom Ltd. © 2013 (LIT-0196)



Certificate Number: FM 35285

