



Wireless Dual Technology Detector with Ricochet Mesh Technology

Ideal for commercial applications, the Premier Elite DT-W brings wireless dual technology detection to Premier Elite control systems.

Dual technology detection is now available in wireless form due to the recent introduction of Ricochet MT2 capabilities on Premier Elite control panels and wireless expanders. Ricochet MT2 capability includes advanced power management, enabling dual technology detectors to be used without compromising battery performance.

Ricochet Mesh Technology is more reliable, easier to use and provides greater range than any comparable wireless system.

Premier Elite DT-W features include:

- 15m volumetric coverage
- Digital temperature compensation
- Fully adjustable k-band microwave detection
- Ricochet MT2 capabilities
- Typical 2 to 3 year battery life
- PD6662:2010 Grade 2 Class II



Premier Elite DT-W is only compatible with Ricochet MT2 capable systems. Ricochet MT2 capability is now included in Premier Elite control panels (V2.00 and higher) and Premier Elite XP-W expanders (V2.00 and higher).



RICOCHET™ wireless technology

RICOCHET enabled wireless devices receive and repeat wireless transmissions from other devices. The size, scalability and range of the entire system are extended as wireless signalling is no longer limited by point-to-point communications.

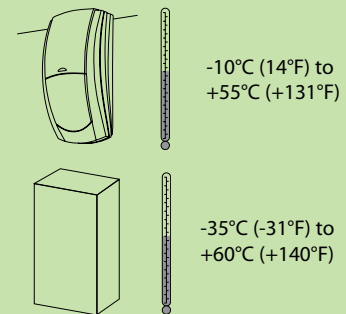
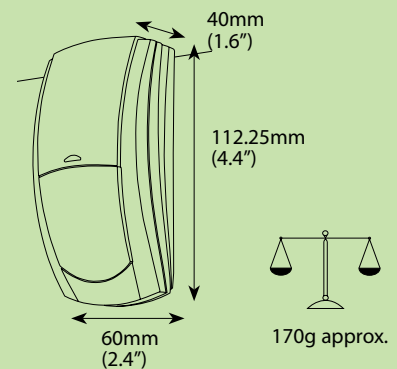
The range of a **RICOCHET** enabled wireless system is greater than previous systems, with multiple devices capable of relaying messages to and from even the most remote locations in a building.

Should wireless connection between two devices weaken, the network will 'self-heal' and automatically re-route communications via alternate **RICOCHET** enabled devices. With more **RICOCHET** enabled devices installed, the greater the reliability of the system.

Premier Elite DT-W



Physical Specifications



Standards

Alarm Systems:	EN50131-2-4, EN50131-5-3, EN50131-1, PD6662:2010, Grade 2 Class II
EMC:	EN50130-4:2011, ETSI EN301 489 V1.4.1
R&TTE:	ETSI EN300-220 (V.2.3.2)
Environmental:	EN50130-5
Frequency Band:	868.0 - 868.6 MHz
Detection:	24.15 - 24.25 GHz

Coverage Pattern

