

Premier Elite 12-W

Residential wireless control panel with *Ricochet*® mesh technology

Texecom



Everyone deserves to feel **safe** in their own home

Ricochet mesh technology, which has brought unrivaled wireless performance to commercial security, is now available for residential applications. The Premier Elite 12-W wireless control panel is the perfect choice for homes and small businesses. Featuring 8 *Ricochet* enabled wireless zones, with a further 4 zones for wired devices, the Premier Elite 12-W offers class leading performance and value.

- 8 *Ricochet* Enabled Wireless Zones
- 4 Wired Zones
- 2 Areas
- 8 User Codes
- Accepts up to 2 Keypads
- 250 Event Log Time & Date Stamped
- PD6662: 2010, EN50131-3, EN50131-5-3 Grade 2 Class II
- Also available as part of the Premier Elite 12-W Complete Kit



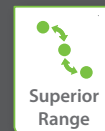
Residential Wireless Solutions

Increasingly available to a wider audience, *Ricochet* mesh technology brings commercial grade wireless signalling to residential applications.

RICOCHET®



Mesh Network



Superior Range



Self Healing



Bi-Directional



Signal Encryption



Commission Mode



Designed & made in the UK by Texecom

Sales: +44 (0)1706 220460

Visit: www.texecom.com



Premier Elite 12-W

Texecom

Performance

Max. number of Keypads: 2

Max. number of Areas: 2

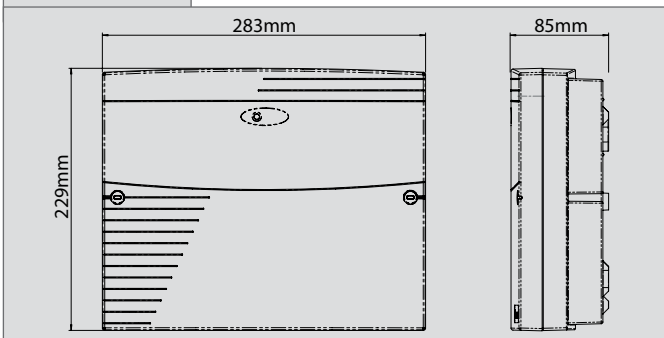
Max. number of User Codes: 8



Key Features

Maximum Number Of Zones	12
Maximum Number Of Wireless Zones	8
Number Of Wired Zones (Onboard)	4
Event Log Time & Date Stamped	250
SMS Text Messaging	•
Plug On Digimodem	•
Single Pole Zone Wiring	•
End Of Line Wiring	•
Part Sets	3 PER AREA
Programmable Outputs (Control Panel)	4
Multi Format Communication Protocols	•
Remote & Local Upload/Download	•
Printer Output	•
EN 50131-1	Grade 2
EN 50131-3	Grade 2

Dimensions



Standards

Alarm Systems:	EN 50131-3, EN 50131-5-3, EN 50131-1, PD 6662:2010, Grade 2 Class II
EMC:	EN 50130-4:1995: A1: A2 ETSI EN 301 489-03 V1.4.1
R&TTE:	ETSI EN 300-220 (V2.1.1)
Environmental:	EN 50130-5
Frequency Band:	868.0 - 868.6 MHz/433.05 - 434.79 MHz 866.0 - 866.6 MHz

Each Premier Elite 12-W Complete Kit contains:



1 x Premier Elite 12-W &
1 x Premier Iconic LCD Keypad



2 x Premier Compact
PW-W



1 x Premier Elite
Impaq Contact-W



1 x Premier Elite
SmartKey

See the full range of *Ricochet* enabled products at www.texe.com

Texecom products are protected by UK & International patents, trademarks & registered design rights. Premier Elite & Ricochet are trademarks of Texecom Ltd. © 2013 (LIT-0198)



Certificate Number: FM 35285

